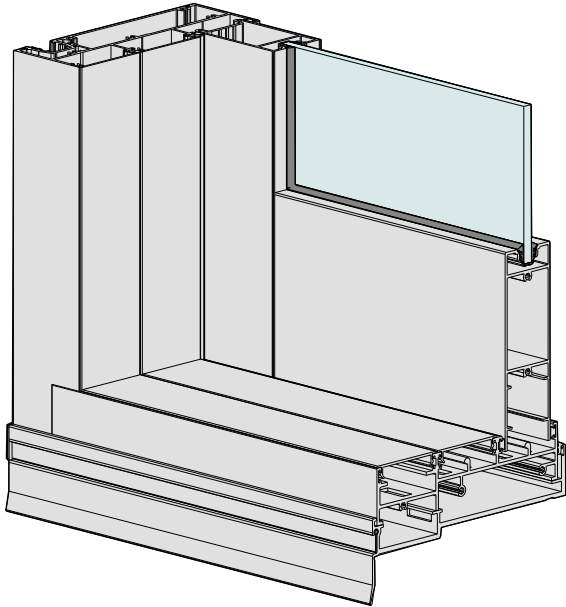




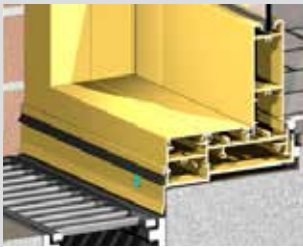
ARCHITECTURAL SERIES | SERIES 704

SlideMASTER™ SLIDING DOOR (INTERNAL SLIDING)



KEY FEATURES

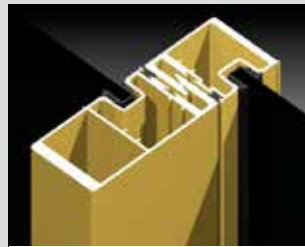
- This high-performance sliding door has been tested for compliance with the relevant Australian Standards.
- The extra strong multi-hollow meeting stiles allow large sliding doors to be fabricated in high wind load areas.
- There are a large variety of door combinations possible. XF, FX, FXF, FXXF, XXF, FXX, XXXF, FXXX, FXXXXXXF and FXXXXF. 90° corner units FX^XF and FXX^XXF are also available.
- Doors can be fitted with surface mounted deadlock, mortice lock or multi-point mortice lock.
- Doors run on heavy duty double or quad bogey wheel carriages.
- Variety of bottom rail and midrail sizes available. The tall square bottom rail is standard.
- Thresholds and snap-in flat filler ensure that the clean looks are maintained.
- Doors can be fitted with external sliding or internal Centor™ SIE retractable roller fly doors.



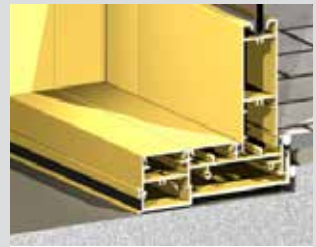
A unique, self-draining sub-sill is a feature of the 704.



The image above shows ICON™ recessed pull handle option used with commercial mortice lock. On heavy doors we recommend D-Pull handles.



We offer a variety of meeting stile combinations to cover most areas in Australia.



Standard tall, small, beveled and square rails are all an option. Standard tall square bottom rail illustrated above.

GENERAL

Max Panel Height*
3000mm

Max Panel Width*
2500mm

Max Glass Thickness
24mm

Frame Depth
Various

ENERGY

UW Range
3.0-6.2

SHGC Range
0.15-0.59

WEATHER

Maximum Water
450 Pa.

ACOUSTICS

6.38mm Lam
30 (0;-1)

10.38mm Lam
31 (-1;-1)

10.5mm VLam Hush™
33 (0;-2)



*Dimensions subject to individual site conditions.