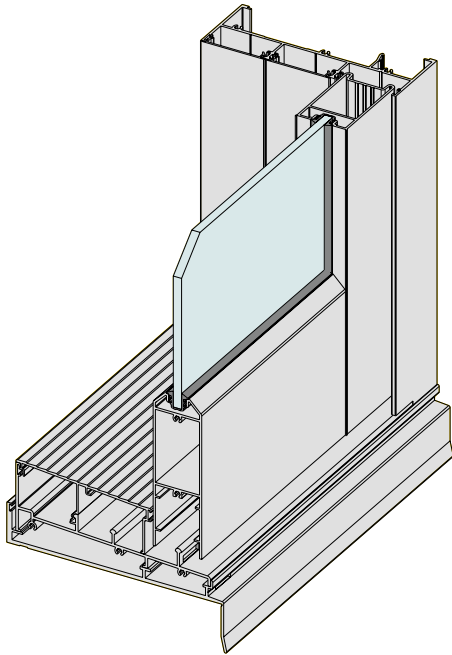


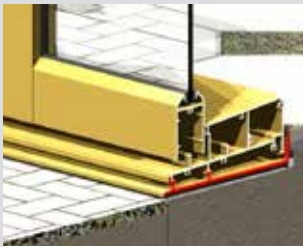
ARCHITECTURAL SERIES | SERIES 702

SlideMASTER™ SLIDING DOOR (EXTERNAL SLIDING)

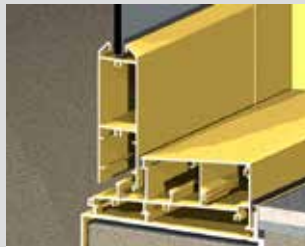


KEY FEATURES

- This high-performance sliding door has been tested for compliance with the relevant Australian Standards.
- The extra strong multi-hollow meeting stiles allow large sliding doors to be fabricated in high wind load areas.
- There are a large variety of door combinations possible. XXF, FXX, XF, FX, FXF, XFF, FXXF and FXXXXF. 90° corner unit FX^XF and FXX^XXF are also available.
- Doors can be fitted with surface mounted deadlock, mortice lock or multi-point mortice lock.
- Doors run on heavy duty wheel carriages.
- Variety of bottom rail and mid rail sizes. The tall splayed bottom rail is standard.
- Aluminium sub-sills are available and should be used in all installations.
- Thresholds and snap-in flat filler ensure that the clean looks are maintained.
- Doors can be fitted with internal sliding or Centor™ SIE retractable roller flydoors.



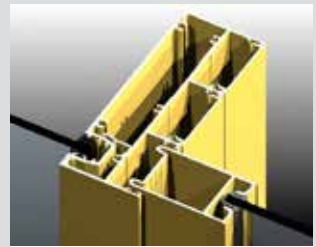
Sub-sill with central support leg designed to support the weight of heavy central door panels.



Standard tall, small, beveled and square rails are all an option. Standard tall splayed bottom rail illustrated above.



The images above show ICON™ D-Pull handle used with commercial mortice lock.



Series 702 frames (102mm and 150mm) will couple with ELEVATE™ FrontGLAZE™ framing.

GENERAL

Max Panel Height*
3000mm

Max Panel Width*
1860mm

Max Glass Thickness
24mm

Frame Depth
Various

ENERGY

UW Range
3.0-6.2

SHGC Range
0.15-0.59

WEATHER

Maximum Water
600 Pa.

ACOUSTICS

This product has not been acoustics tested. AWS anticipates this product's acoustic performance will be in-line with Series 704.



elevatealuminium.com.au/702

*Dimensions subject to individual site conditions.