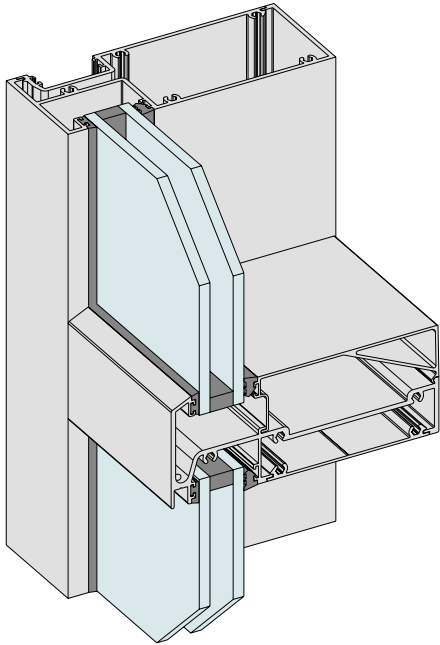


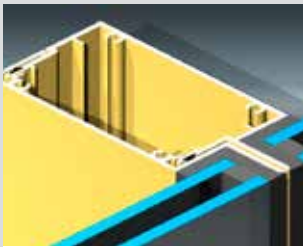
COMMERCIAL FRAMING | SERIES 626

DOUBLE GLAZED FrontGLAZE™ 150mm FRAMING

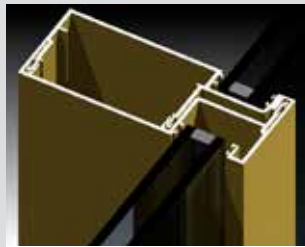


KEY FEATURES

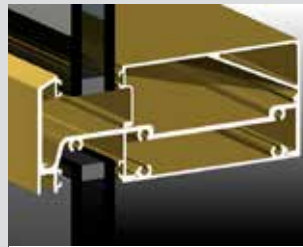
- Series 626 FrontGLAZE™ shopfront framing 150mm x 60mm with the glazing pocket close to the front face.
- The 28mm deep glazing pocket caters for glass installation and 12mm bite as required by IGU manufacturers.
- Reinforced tall glazing beads to tolerate high wind loads.
- True captive glazing wedge on one side. In elevated installations this allows you to glaze and reglaze from inside the building, no need for scaffolding – if you select the internally beaded sill/transom as shown left.
- External wet top silicone glazing also available.
- Drainage holes along the front face are concealed.
- We offer both internal or externally glazed transom/sills.
- Custom designed extrusions to cater for specific applications. A range of sub-sills cover most installations.
- Numerous door thresholds including weather resisting thresholds for external and internal swing doors.
- Compatible with Series 52 doors.



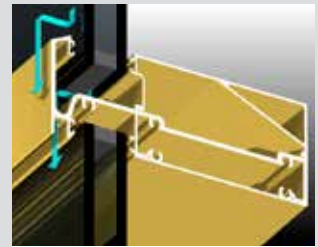
626 framing offers a structurally glazed option.



A variety of different framing options. We recommend expansion mullions on long runs of framing (over 6m).



Specifically designed transoms for varying applications and conditions.



Concealed drainage designed to shed water more efficiently. Very high water performance greater than 600 Pa.

GENERAL

Max Panel Height
Various

Max Panel Width
Various

Max Glass Thickness
28mm

Frame Depth
150mm

ENERGY

UW Range
2.7 - 3.7

SHGC Range
0.19 - 0.70

WEATHER

Maximum Water
600 Pa.

ACOUSTICS

This product has not been acoustics tested. AWS anticipates this product's acoustic performance will be in-line with Series 426.

