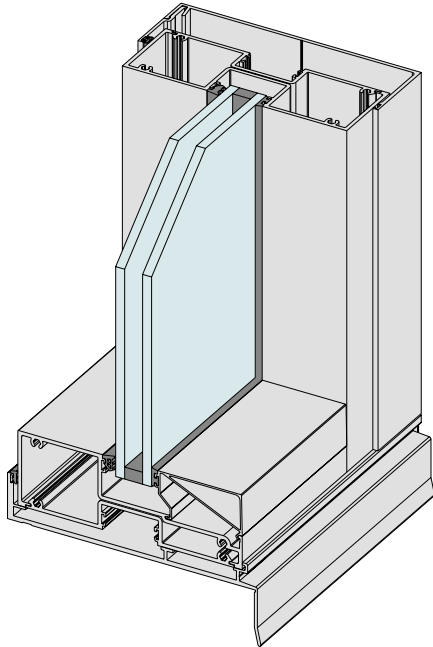


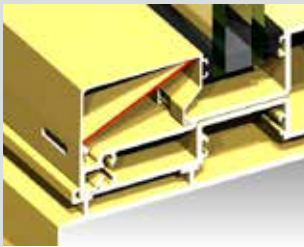
COMMERCIAL FRAMING | SERIES 624

DOUBLE GLAZED CentreGLAZE™ 150mm FRAMING

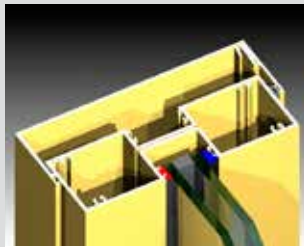


KEY FEATURES

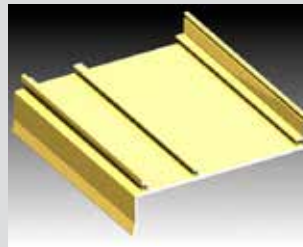
- Versatile 150mm CentreGLAZE™ framing designed to accept 28mm insulating glass units (IGUs).
- Glazing pocket delivers the required 12mm bite plus 4mm to cater for glass production and installation tolerances.
- True captive glazing wedge on one side. In elevated installations with bead on the inside at head this allows you to glaze and reglaze from inside, no need for scaffolding
- External wet top silicone glazing also available.
- Compatible with Elevate™ framing, and Series 52 doors.
- Snap-together and interlocking expansion mullions.
- Matching 50mm thick hinged, pivot or sliding door designed to accept double glazing and industry standard hardware.
- Two midrail sizes to choose from (125mm and 200mm).
- Concealed overhead transom also designed to accept 24mm IGUs. Centre pivot doors can be fitted into Series 624 with dedicated closer head/transom.
- We can insert double glazed awning sashes into the framing.



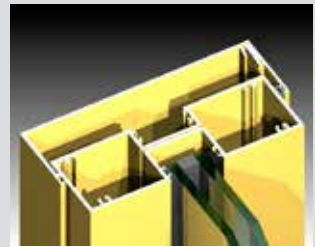
Sill beads are reinforced for extra strength and security.



Can accept both captive and roll-in wedges for the ease of site glazing. We can use silicone wet top on the outside in lieu of the captive wedge.



Specifically designed sub-sill with central support leg.



Sub-jamb and sub-heads designed for easy installation.

GENERAL

Max Panel Height
Various

Max Panel Width
Various

Max Glass Thickness
28mm

Frame Depth
150mm

ENERGY

UW Range
2.9 - 3.8

SHGC Range
0.22 - 0.65

WEATHER

Maximum Water
600 Pa.

ACOUSTICS

This product has not been acoustics tested. AWS anticipates this product's acoustic performance will be in-line with Series 424.

