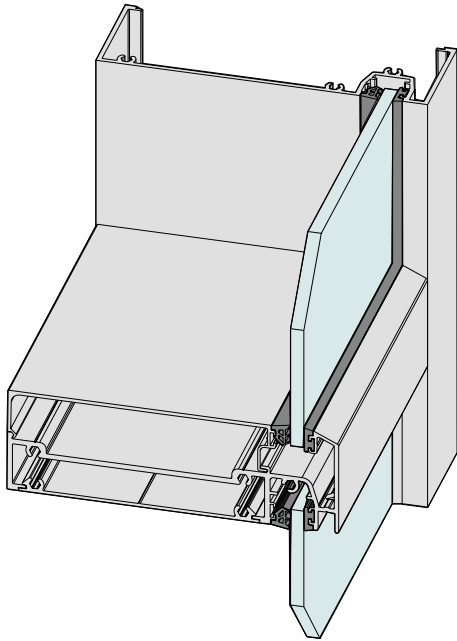




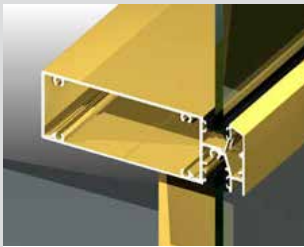
COMMERCIAL FRAMING | SERIES 606

SINGLE GLAZED FrontGLAZE™ 150mm FRAMING

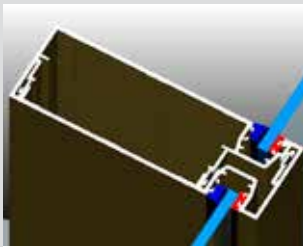


KEY FEATURES

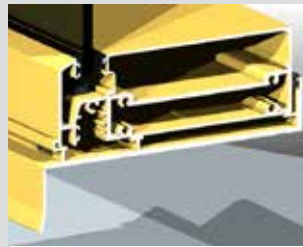
- Series 606 FrontGLAZE™ framing 150mm x 50mm with the glazing pocket close to the front face.
- Truly captive glazing wedge feature. A significant advantage in elevated situations where you will be able to glaze from the inside without scaffolding – if you select an internally beaded sill/transom.
- External wet top Silicone glazing also available.
- The drainage holes along the front face are concealed in the recess drip groove.
- Large range of transom options – internal or external glazed.
- Numerous custom designed extrusions to cater for specific applications. A range of sub-sills cover most installations.
- Sub-head and two piece sub-jamb.
- Numerous door thresholds including weather resisting thresholds for external and internal swing doors.
- Top hung and bottom rolling sliding door track systems.
- Compatible with Series 50, 51 and 52 doors.



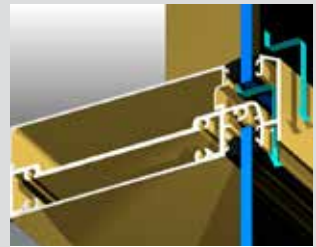
Various transoms including external glazed or internal glazed. Various transoms including externally glazed shown above. The illustration far right shows the internally beaded transom.



Expansion mullion shown above with extra weather leg behind glazing pocket, providing high water resistance. We can use silicone wet top on the outside in lieu of the captive wedge.



Sub-sill, sub-head and sub-jamb available. The sub-sill has additional support leg under the glass, designed to carry weight of heavy glass unit and prevent frame dishing.



Concealed drainage designed to shed water more efficiently and improve aesthetics without runs of visible holes along the face. Very high water performance greater than 600 Pa.

GENERAL

Max Panel Height
Various

Max Panel Width
Various

Max Glass Thickness
10.38mm

Frame Depth
150mm

ENERGY

UW Range
4.5-6.4

SHGC Range
0.33-0.74

WEATHER

Maximum Water
600 Pa.

ACOUSTICS

This product has not been acoustics tested. AWS anticipates this product's acoustic performance will be inline with Series 400.

