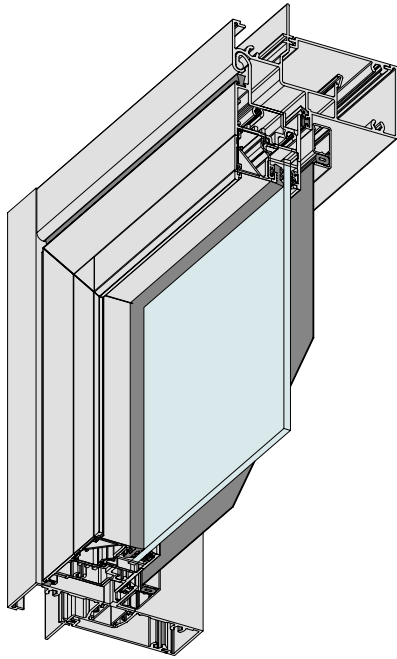




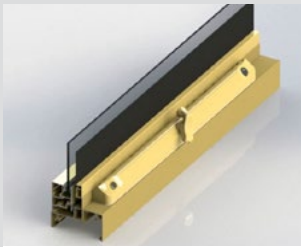
ARCHITECTURAL SERIES | SERIES 466

ARCHITECTURAL AWNING/CASEMENT WINDOW

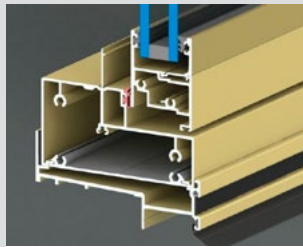


KEY FEATURES

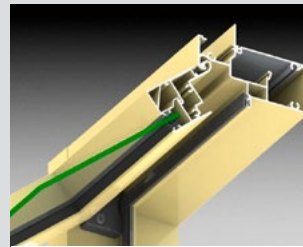
- Series 466 sashes can be fabricated as awning, casement or fixed lights.
- 102mm wide perimeter frame designed to make installation into brick veneer and cavity brick easier with built-in nailing fins.
- Awnings with manual or concealed electric winders have integrated hinge incorporated into sash top rail and head. No stays required.
- The strong sashes allow large opening sash windows to be fabricated for high wind load areas.
- Successfully tested to resist 600 Pa water externally or internally beaded and is suitable for air-conditioned buildings.
- When glazed internally we use square glazing beads. On the externally glazed sash we can also offer splayed beads.
- Awning sashes can be fitted with cam handles (this hardware requires friction stays), manual chain winders or concealed electric winders. The winder options suit fixed flyscreen installation.



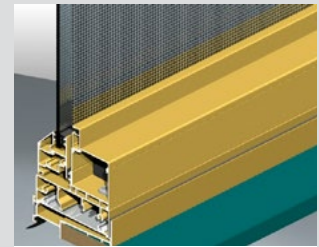
Dual chain chainwinder is fitted where awning sashes are wider than 1200mm to ensure wide sashes are supported



Custom sill design accepts manual chain winder without adaptors. Sill has an up-stand to suit flyscreen.



Integrated aluminium hook hinge gives us higher water resistance and strength.



Custom sub-sill (flashing tray) standard on 466 windows. This sill detail shows our custom concealed electric winder box. Winder box recessed to accept flyscreen as shown above.

GENERAL

NB: Maximum panel height and width of Awning sashes are interdependent.

**Max Panel Height\***  
A/ @2400w = 800H  
C/ 1800mm

**Max Panel Width\***  
A/ @2100h = 900w  
C/ 1000mm

**Max Glass Thickness**  
24mm

**Frame Depth**  
102mm

**ENERGY**  
**UW Range**  
4.2-7.0

**SHGC Range**  
0.14-0.57

WEATHER

**Maximum water**  
600 Pa.

ACOUSTICS

**6.5mm VLam Hush™**  
**/10mm Air/8.5mm VLam Hush™**  
41 (-1;-5)

**6mm Tgh/12mm Air/**  
**6.5mm VLam Hush™**  
40 (-1;-5)

**6.5mm VLam Hush™**  
35 (-1;-4)



\*Dimensions subject to individual site conditions. A = Awning Configuration. C = Casement Configuration. BAL-40 compliance may limit glass options. Maximum glass size for BAL-40 products is 4.5m2.