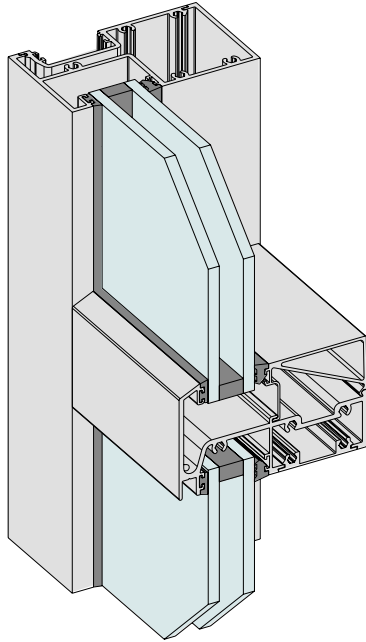


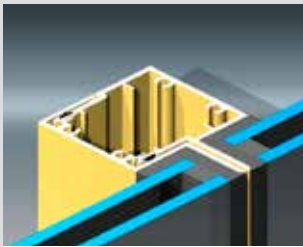
COMMERCIAL FRAMING | SERIES 426

DOUBLE GLAZED FrontGLAZE™ 102mm FRAMING

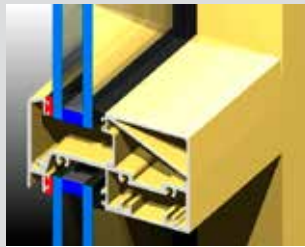


KEY FEATURES

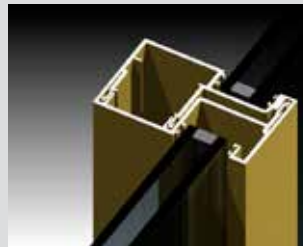
- Series 426 FrontGLAZE™ shopfront framing 102mm x 60mm with the glazing pocket close to the front face.
- The 28mm deep glazing pocket caters for glass installation and 12mm bite as required by IGU manufacturers.
- Reinforced tall glazing beads at sill.
- We can fit a true captive glazing wedge on one side. In elevated installations this allows you to glaze and reglaze from inside, with no need for scaffolding when internally beaded sill/transom is selected.
- External wet top Silicone glazing also available.
- The drainage holes along the front face are concealed.
- There are numerous custom designed extrusions to cater for specific applications. A range of sub-sills cover most installations. Sub-head and two piece sub-jamb.
- Numerous door thresholds including weather resisting thresholds for external and internal swing doors.
- Compatible with Series 52 doors.



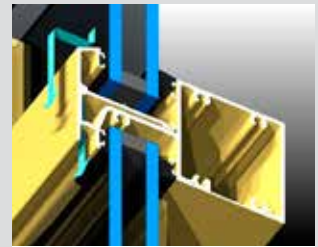
426 framing offers a structurally glazed option.



Full captive wedge glazing is a feature of 426 framing. We can use silicone wet top on the outside in lieu of the captive wedge.



Various mullion details for site wind load conditions. We recommend expansion mullions on long runs of framing (over 6m).



Concealed drainage designed to shed water more efficiently and improve aesthetics without runs of visible holes along the face. Very high water performance > 600 Pa.

GENERAL

Max Panel Height
Various

Max Panel Width
Various

Max Glass Thickness
28mm

Frame Depth
101.2mm

ENERGY

UW Range
2.7-3.6

SHGC Range
0.18-0.66

WEATHER

Maximum Water
600 Pa.

ACOUSTICS

This product has not been acoustics tested. AWS anticipates this products acoustic performance will be inline with Series 424.



elevatealuminium.com.au/426