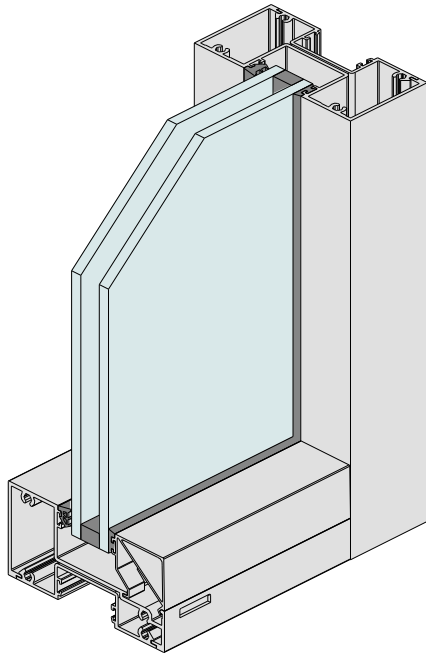


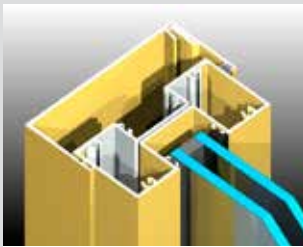
COMMERCIAL FRAMING | SERIES 424

DOUBLE GLAZED CentreGLAZE™ 102mm FRAMING

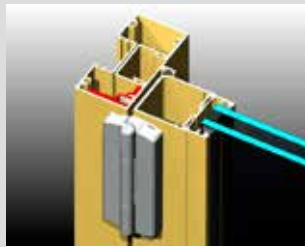


KEY FEATURES

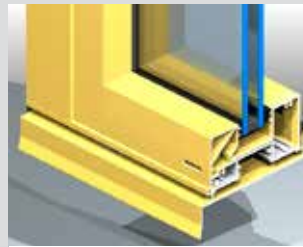
- Series 424 CentreGLAZE™ shopfront framing 102mm x 50mm designed specifically to accept 24mm (IGUs).
- The 28mm deep glazing pocket caters for glass installation and 12mm bite as required by IGU manufacturers.
- Reinforced tall glazing bead at sill.
- External wet top silicone glazing also available.
- True captive glazing wedge on one side. In elevated installations with bead on the inside this allows you to glaze and reglaze from inside, no need for scaffolding.
- Numerous custom designed extrusions to cater for specific applications. A range of sub-sills cover most installations.
- Sub-head and two piece sub-jamb.
- Numerous door thresholds including weather resisting thresholds for external and internal swing doors.
- Top hung and bottom rolling sliding door track systems.
- Accepts awning and casement sashes.
- Compatible with Series 52 doors.



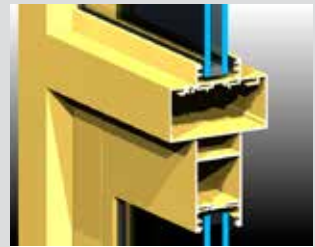
All 424 framing is designed to accept IGUs up to 28mm.



Series 424 double glazed door panels will be heavy. For this reason we offer hinge backing plates and adjustable hinges.



Sub-sill, sub-head and sub-jamb and sub-jamb available. We always recommend sub-sills under commercial frames that are exposed to the elements on the perimeter wall.



We can also double glaze doors and COC highlights.

GENERAL

Max Panel Height
Various

Max Panel Width
Various

Max Glass Thickness
28mm

Frame Depth
101.6mm

ENERGY

UW Range
2.6-3.6

SHGC Range
0.17-0.63

WEATHER

Maximum Water
600 Pa.

ACOUSTICS

8.5mm VLam Hush™ / 10mm Air / 6.5 VLam Hush™
39 (-2;-6)

6.5mm VLam Hush™ / 12mm Air / 6mm Tgh
36 (-1;-5)

