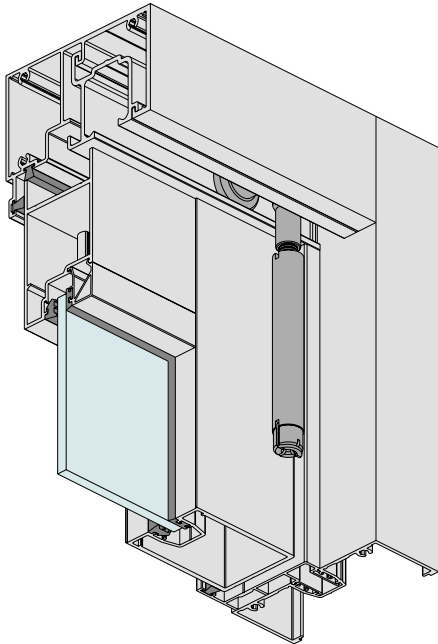




ARCHITECTURAL SERIES | SERIES 411

ViewMASTER™ BI-FOLD DOOR (TOP HUNG)



KEY FEATURES

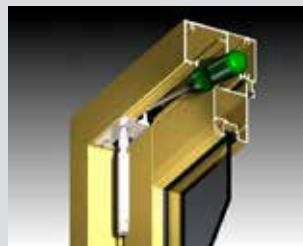
- Designed to accept the 50mm thick heavy duty Series 50 and 52 doors. Bi-fold doors can be manufactured with compliant panels up to 3000mm high.
- Hung on Centor™ stainless steel bearing rollers running in heavy duty dual overhead tracks.
- The standard E2 rollers will carry door panels up to 40kg
- Heavy duty E3 rollers will carry door panels up to 80kg.
- The Surelock™ adjustment on the pivots and carriers allow all panels to be lifted or lowered easily with a flat screwdriver.
- Top carriers are fitted with side-thrust roller/s. This protects the main load-bearing rollers from damage and inside scraping, ensuring silent, smooth rolling action.
- Carriers, pivots, hinges and fixings supplied in 304 SS.
- Seamless type door panel construction (rails nest into stiles) to conceal the assembly joint.
- We can fit Centor™ SIE retractable roller flyscreens behind Series 411 bi-fold doors.



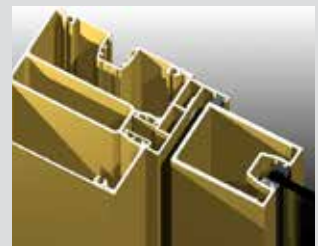
The 411 utilises both Centor™ E2 and E3 running gear. E2 illustrated above.



A full range of hardware available including 4-point locking mechanisms. ANDO™ lever furniture illustrated. Available in powder coat or stainless steel finish.



All pivots are vertically and horizontally adjustable. Hinges and rollers can be adjusted vertically and horizontally.



The 411 incorporates varying profiles to be used as jambs, this includes corner mullion as shown above.

GENERAL

Max Panel Height*
3000mm

Max Panel Width*
1000mm

Max Glass Thickness
28mm

Frame Depth
102mm

ENERGY

UW Range
3.3-6.2

SHGC Range
0.14-0.59

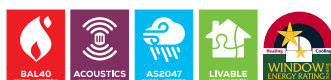
WEATHER

Maximum Water
450 Pa.

ACOUSTICS

6.38mm Lam
28 (0,-2)

8.38mm Lam
31 (-1,-2)



*Dimensions subject to individual site conditions.

BAL-40 compliance may limit glass options. Maximum glass size for BAL-40 products is 4.5m2.