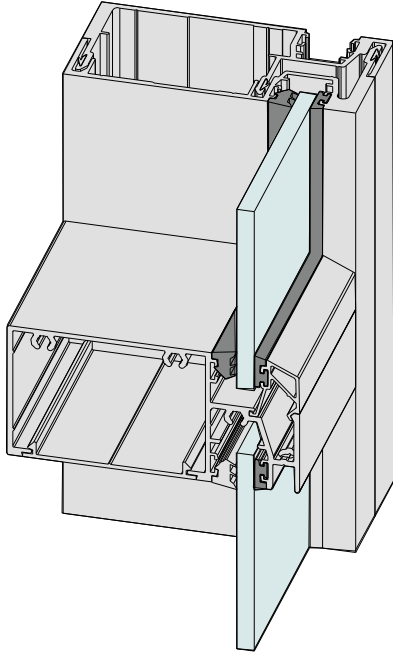




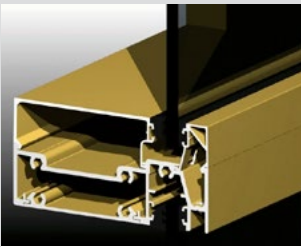
COMMERCIAL FRAMING | SERIES 406

SINGLE GLAZED FrontGLAZE™ 102mm FRAMING

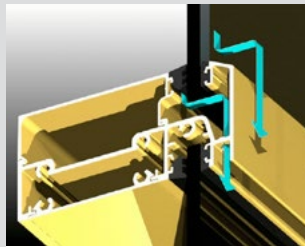


KEY FEATURES

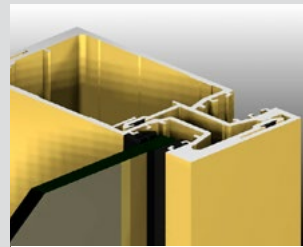
- Series 406 FrontGLAZE™ shopfront framing 102mm x 50mm with the glazing pocket close to the front face.
- True captive glazing wedge. A significant advantage in elevated situations where you can glaze from inside without scaffolding when internally beaded sill/transom is selected.
- External wet top silicone glazing also available.
- The drainage holes along the front face are concealed in the recessed drip groove.
- Large range of transom options – internal or external glazed.
- Numerous custom designed extrusions to cater for specific applications. A range of sub-sills cover most installations.
- Sub-head and two piece sub-jamb.
- Numerous door thresholds including weather resisting thresholds for external and internal swing doors.
- Top hung and bottom rolling sliding door track systems.
- Compatible with Series 50, 51 and 52 doors.
- Will accept awning sashes.



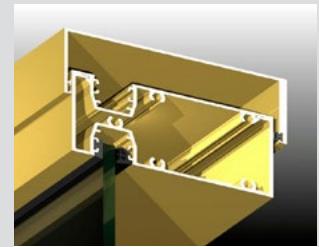
Front glazed framing with a variety of transom details, including double beads as shown above.



Concealed drainage designed to shed water more efficiently. Very high water performance 600 Pa.



Various mullion details for site wind load conditions. The expansion mullion above shows extra weather leg behind the glazing for very high water resistance.



Sub-sill, sub-head and sub-jamb available.

GENERAL

Max Panel Height
Various

Max Panel Width
Various

Max Glass Thickness
10.38mm

Frame Depth
102mm

ENERGY

UW Range
4.5-6.1

SHGC Range
0.25-0.74

WEATHER

Maximum Water
600 Pa.

ACOUSTICS

This product has not been acoustics tested. AWS anticipates this product's acoustic performance will be inline with Series 400.

