



Residential Series | Series 549 Hinged Entry Door

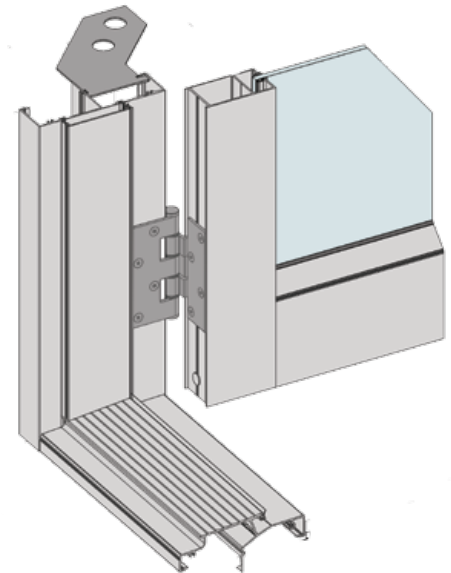


Overview

Series 549 Hinged doors in aluminium and glass are ideal in any situation, from front doors to utility doors. They can be supplied in standard configurations or follow a more developed design approach. The door stiles and rails are substantial and strong, and come with many upgrade options - decorative glazing bars, choice of attractive hardware, highlights, sidelights and adjacent windows in a range of configurations.

Key Features

- The Vantage 549 framing has been designed as a alternative to the traditional 135mm x 38mm timber entry door framing. Frames can be delivered to site pre-painted and with door panels and hardware fitted.
- Series 549 comes with self draining sill on internal opening doors. Alternatively for those exposed locations we recommend the external swing splayed sill. Both internal and external swing doors fitted with sill section have been tested to Australian Standard AS2047 and will resist 200Pa water.
- Features extra wide top and bottom rails that give the door the chunky appearance of traditional timber designs.
- Rebated door stiles give a flush appearance when the two doors meet and provide superior weather protection - no unsightly applied rebates.
- Doors can be supplied with a lever lock installed in the door stile or with a tulip knob lock placed in a door chair rail.
- Custom hinges wrap around the aluminium door stile improving the appearance. Frame is reinforced at hinge fixing points.
- Doors can be fitted with custom parliament hinges where 180° opening is required.
- Door panels can be fitted with ClearVENT™ sashless double-hung panels.
- The perimeter frame has been designed with a dedicated screen door recess on the outer edge. This recess has a seal to soften the impact of metal on metal when the screen door closes.
- We can fit MAGNUM™ awning sashes into Series 549 framing. These awning sashes can be operated with manual or concealed electric winders or manual cam handles.



Maximum Panel Height	2350mm
Maximum Panel Width	920mm
Maximum Glass Thickness	≤ 20mm

Subject to individual site conditions. Contact AWS Technical Support for information.



WERS RATED PRODUCT



ENHANCED ACOUSTIC PERFORMANCE



3D & 2D CAD FILES AVAILABLE



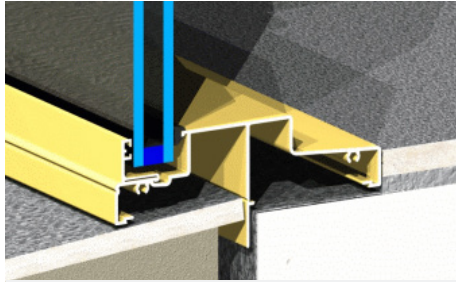
PRODUCT INFORMATION AVAILABLE AT
WWW.VANTAGEALUMINIUM.COM.AU



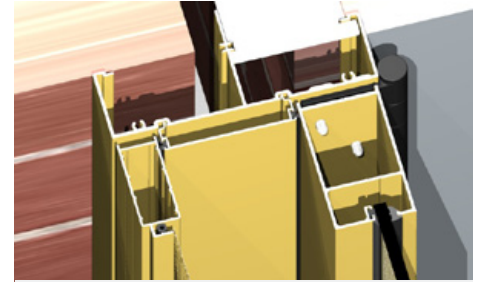
SPECIFIER ASSISTANCE AVAILABLE



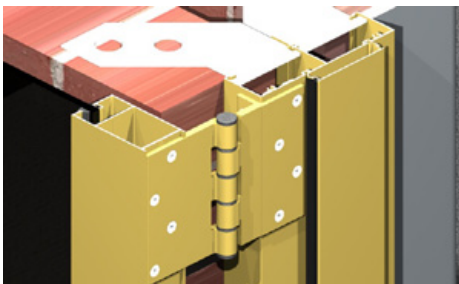
Locks can be supplied in 2 or 4-point locking and the lever set can be colour matched to the door. Optional stainless steel lever sets also available for exposed locations. ICON™ 316 stainless steel furniture shown above.



Fixed sidelights on the 549 have been designed to match the hinged door frame and look like a bold timber frame. Both doors and sidelights will accept glass up to 2mm thick.

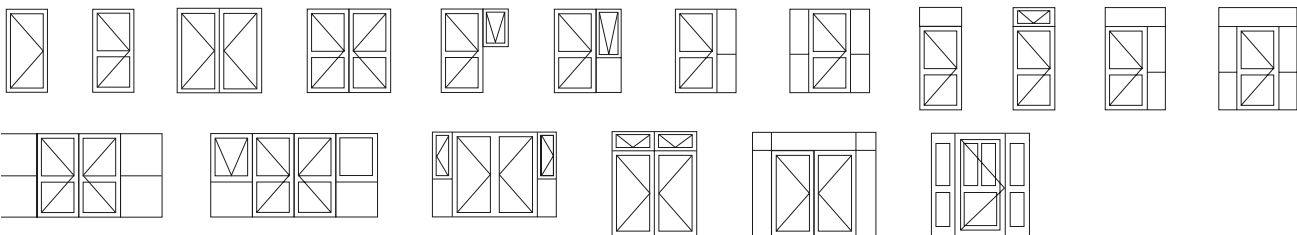


The internal swing hinged door frame has a dedicated recess on the outer edge to accept optional hinged screen doors. No plant-on sections, and no unsightly visible rivets or screws.



This external opening door is splayed to the outside to ensure that all surface water drains out of the system. This illustration also shows an optional custom parliamentary hinge that allows doors to swing right back against the wall.

Typical Configurations



WERS RATINGS

The table below lists some of the WERS rated glass and frame combinations for this system. For a complete list of all rated glass and frame combinations refer to the Series 549 WERS Data Sheet.

Glass Description	COOLING	HEATING	Uw	SHGCw	Tvw	Inf
5mm Grey	40%	8%	6.0	0.42	0.32	0.80
5mm EverGreen	42%	6%	6.0	0.42	0.32	0.80
6.38mm Comfort Plus	52%	23%	4.5	0.35	0.38	0.80
4Az/10GAP/4EA	60%	28%	3.8	0.28	0.40	0.80
5Clr/8GAP/5Clr	43%	33%	4.3	0.49	0.52	0.80