



Architectural Series | Series 410

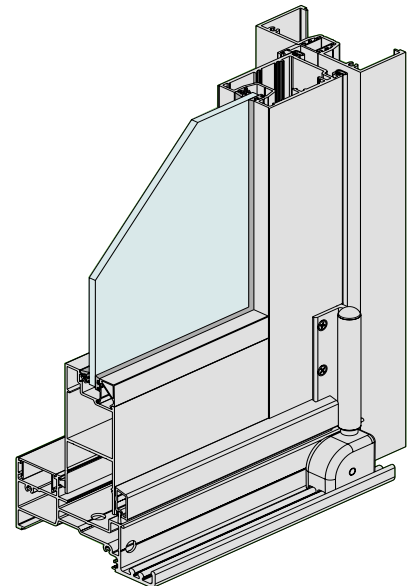
FoldMASTER™ Bi-Fold Door (bottom rolling)

Overview

Series 410 is a bottom rolling bi-fold door system ideal for commercial or high end residential applications.

Key Features

- Series 410 Bi-fold door is an exceptionally strong bi-fold system designed to accept the heavy duty AWS Series 50, 51 and 52 doors.
- Due to its strength this system can accommodate compliant bi-fold panels up to 3000mm high.
- Rebated door stiles are incorporated to give a flush appearance when the two doors meet and provide superior weather protection eliminating the need for unsightly applied rebates.
- A specially designed lock keeper is concealed within the cavity on the leading edge of the inactive door. This eliminates the need for holes to be milled in the aluminium for the latch and lock bolt, giving a cleaner appearance.
- The concealed keeper and recessed stile make compromising the latch and bolt for forced entry more difficult - improved security.
- A variety of lever & lock options are available including proprietary multi-point and lever compression locking for added security.
- Successfully tested for water resistance at 450Pa.
- Seamless door panel construction conceals the assembly joint giving a clean aesthetic appearance.
- Can be configured to incorporate single or double entry doors so access can be achieved without opening the whole unit.
- Custom door co-extruded Santoprene bulb seal for maximum weather performance.
- Door panels are supported on quad rollers running on heavy duty dual bottom rails.
- As the doors are supported at the sill (sill rollers) we can fit over lights. Over lights can be fixed glass or opening sashes.
- Bi-fold panels can be secured with key operated twin bolts.



Maximum Panel Height	3000mm
Maximum Panel Width	1000mm
Maximum Glass Thickness	≤ 25mm

Subject to individual site conditions. Contact AWS Technical Support for information.



WERS RATED PRODUCT



ENHANCED ACOUSTIC PERFORMANCE



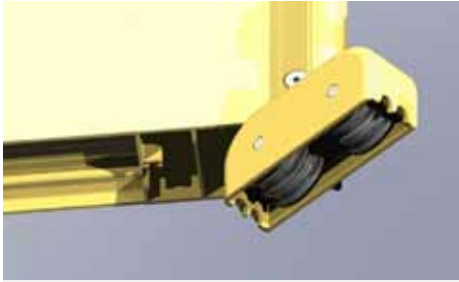
3D & 2D CAD FILES AVAILABLE



PRODUCT INFORMATION AVAILABLE AT
WWW.ELEVATEALUMINIUM.COM.AU



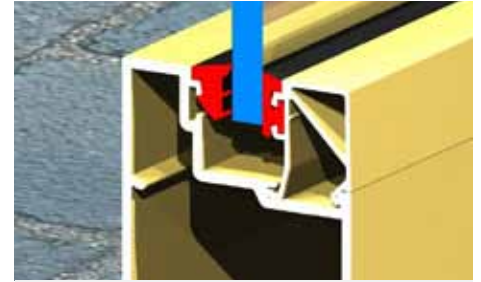
SPECIFIER ASSISTANCE AVAILABLE



Heavy duty double bogey, bottom rolling running gear.



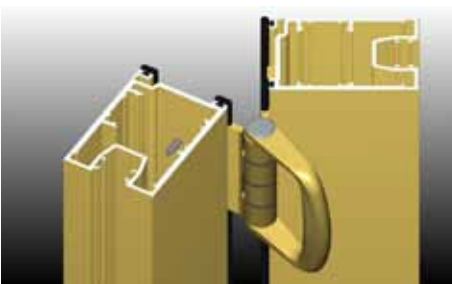
Specially designed runners to inhibit clashing in a bi-parting configuration.



A range of various door beads available including double glazed option.



A full range of hardware available including multiple 4-point locking mechanisms.

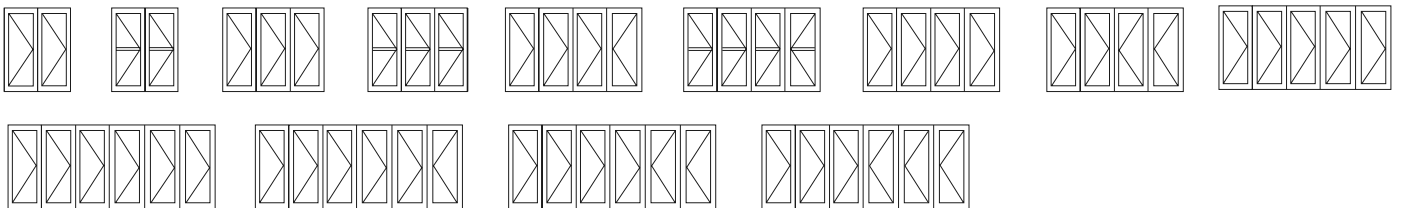


Multiple compression bulb seals ensure high weather resistance.



All door panels have heavy duty spigoting.

Typical Configurations



WERS RATINGS

The table below lists some of the WERS rated glass and frame combinations for this system. For a complete list of all rated glass and frame combinations refer to the Series 410 WERS Data Sheet.

Single Glazed

Glass Description	Uw	SHGCw	Tvw	Inf
6.38Sct	4.57	0.48	0.55	0.43
6EVanSpB	4.76	0.26	0.26	0.43
6EVanSpGn	4.76	0.26	0.32	0.43
6.38CPClr	4.61	0.48	0.56	0.43

Double Glazed

Glass Description	Uw	SHGCw	Tvw	Inf
3/12Ar/3ET	3.47	0.51	0.51	0.43
4/10Ar/4ET	3.55	0.50	0.50	0.43
6.38LamSpGy/12/6	4.09	0.18	0.08	0.43
10.38LamGy/8Ar/6	4.06	0.14	0.07	0.43